

Pre-Integrated Network Services

Enabling Operators to Launch New Business Models with Network Slices

Mavenir's Pre-Integrated Network Services is a bundle of carrier grade software functions that allows operators to increase revenue by rapidly launching a separate network slice for a specific user community. A complete, virtualized network solution, Pre-Integrated Network Services speeds time to market by eliminating the need for inter-vendor integration testing.

Mavenir Solutions Available in Pre-Integrated Services Configuration

The unique configuration of Pre-Integrated Network Services gives operators the agility to rapidly launch and scale new business models, and the flexibility to adjust deployments based on subscriber behavior.

Many of Mavenir's award-winning solutions can be delivered in this configuration, including:

- Voice Over Long-Term Evolution (VoLTE)
- Voice Over WiFi (VoWiFi)
- Rich Communication Services (RCS)
- Messaging as a Platform (MaaP)
- Internet of Things (IoT)

Pre-Integrated Network Services Use Cases

Operators with existing networks can use Pre-Integrated Services to launch new offerings without disturbing their current network. Examples of use cases are customized rate plans with robust messaging solutions for enterprises, or new business models tailored for cruise ships, defense networks, and smart homes and cities. Operators with a low subscriber base can use Pre-Integrated Services to launch their offering with a small, low-cost footprint on commodity hardware.

KEY BENEFITS

Revenue Generation

Increase revenue by quickly and easily introducing new business models

Service Differentiation

Create a separate network slice to launch a targeted service for a specific group of users

Speed of deployment

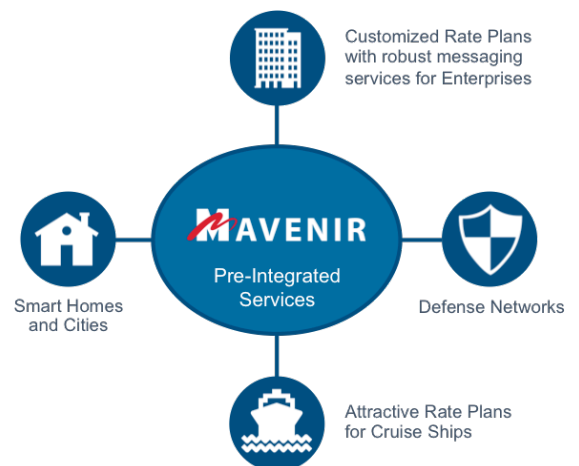
Faster launch since pre-integrated software requires no inter-vendor integration

Reliability & Risk Minimization

- Proven, carrier-grade software with full redundancy support
- Launch new services with no disturbance to existing network

Agility and Flexibility

- Fully Network Functions Virtualization (NFV) compliant architecture scales up for large deployments and down for small, low-cost rollouts
- Standalone configuration allows maximum agility and flexibility



Typical Deployment Model

Pre-Integrated Network Services provides an IP Multimedia Core Network Subsystem (IMS) core with Evolved Packet Core (EPC), including Packet Gateway (PGW), Home Subscriber Server (HSS), and Evolved Packet Data Gateway (ePDG). Interconnection with PSTN and other carriers is supported, as well as connection with provisioning and billing interfaces.

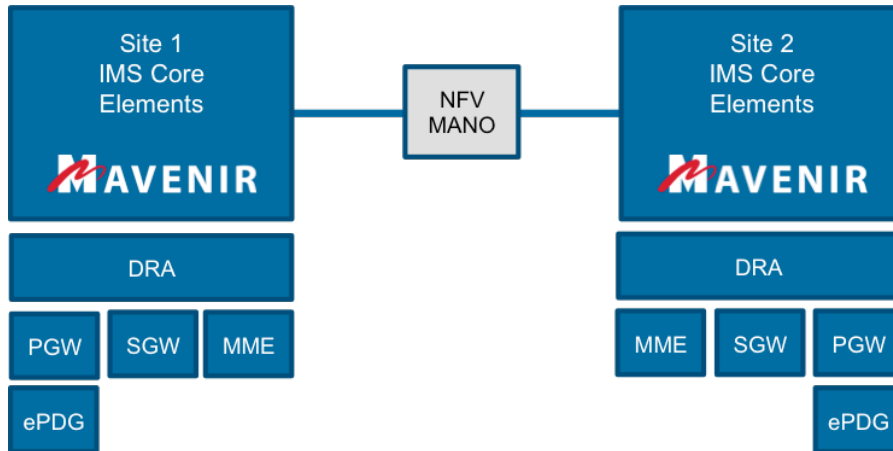


Figure 1: Typical Pre-Integrated Network Services deployment model.

Summary

Mavenir's Pre-Integrated Network Services configuration allows operators to generate revenue by easily deploying network slices for specific groups of users at market speed. This unique configuration can be used by operators with existing networks to offer tailored services to target groups without impacting the current network. Operators just starting out can use Pre-Integrated Network Services to launch cost effectively with a small deployment and grow as needed.

Because integration testing with other vendors is not required, operators can deploy solutions quickly, and easily make adjustments as needed based on user behavior. Pre-Integrated Services solutions include proven, carrier-grade software for VoLTE, VoWiFi, RCS, MaaP and IoT.

FEATURES

- Smaller Virtualized Network Function (VNF) footprints – 4 or 8 vCPUs
- Local and geo-redundancy
- Decoupling of session data, call state data, subscriber data from the VNFs
- Installation of security tools on the virtual machines (VMs)
- Horizontal scaling as per cloud guidelines
- Flexible licensing mechanism – does not hinder auto instantiation and auto configuration